

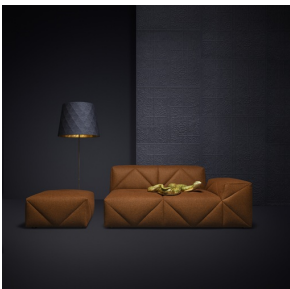
BFF Sofa

MARCEL WANDERS



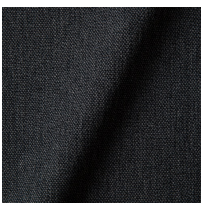
The award-winning BFF Sofa by Marcel Wanders is everyone's new best friend! A high quality, soft yet firm modular sofa system, consisting of a wide variety of modules for endless configurations.

Detailing



The BFF Sofa is available in more than 200 fabrics.

Colours

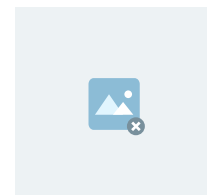


Justo, Bazalt

CAT 1

Silver

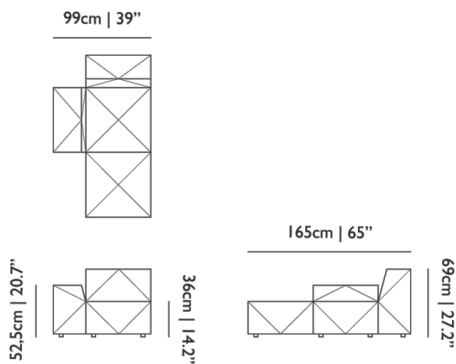
Vesper, Silver



Grey

BFF Sofa / Chaise Longue CL01 Left, Low

Dimensions



Product

WIDTH 99cm | 39"
HEIGHT 69cm | 27.2"
DEPTH 165cm | 65"
WEIGHT NETTO 59kg | 130.07lbs

Packaging

WIDTH 105cm | 41.3"
HEIGHT 75cm | 29.5"
CUBAGE 1.61m³ | 56.86ft³
LENGTH 205cm | 80.7"
WEIGHT 59kg | 130.07lbs

Technical

ADDITIONAL

A modular sofa system that will befriend any interior. Design your own BFF Sofa and find out exact measurements with our configurator: <https://www.mooodi.com/bff-sofa>

MATERIAL

Wooden frame, steel springs, foam.

HEIGHT ARMREST

56cm | 22"

SEAT DEPTH

135cm | 53.1"

SEAT HEIGHT

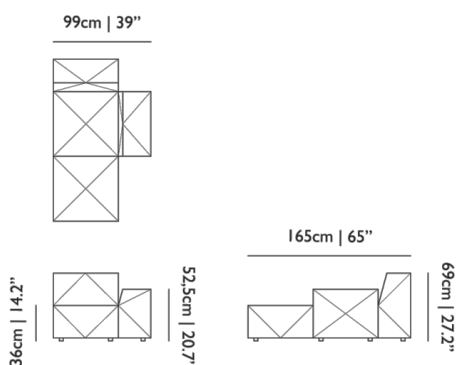
36cm | 14.2"

SEAT WIDTH

74cm | 29.1"

BFF Sofa / Chaise Longue CL02 Right, Low

Dimensions



Product

WIDTH 99cm | 39"
HEIGHT 69cm | 27.2"
DEPTH 165cm | 65"
WEIGHT NETTO 59kg | 130.07lbs

Packaging

WIDTH 105cm | 41.3"
HEIGHT 75cm | 29.5"
CUBAGE 1.61m³ | 56.86ft³
LENGTH 205cm | 80.7"
WEIGHT 59kg | 130.07lbs

Technical

ADDITIONAL

A modular sofa system that will befriend any interior. Design your own BFF Sofa and find out exact measurements with our configurator: <https://www.mooodi.com/bff-sofa>

MATERIAL

Wooden frame, steel springs, foam.

HEIGHT ARMREST

56cm | 22"

SEAT DEPTH

135cm | 53.1"

SEAT HEIGHT

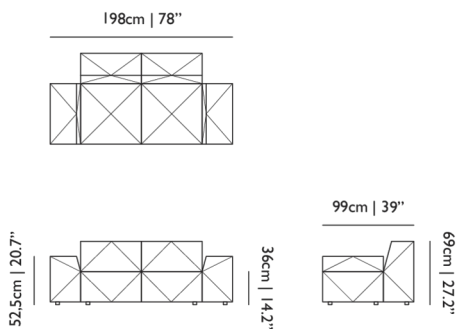
36cm | 14.2"

SEAT WIDTH

74cm | 29.1"

BFF Sofa / Double Seater DE01 Low

Dimensions



Product

WIDTH 198cm | 78"

HEIGHT 69cm | 27.2"

DEPTH 99cm | 39"

Packaging

WIDTH 105cm | 41.3"

HEIGHT 75cm | 29.5"

CUBAGE 1.61m³ | 57.01ft³

LENGTH 205cm | 80.7"

WEIGHT 86kg | 189.6lbs

Technical

ADDITIONAL

A modular sofa system that will befriend any interior. Design your own BFF Sofa and find out exact measurements with our configurator: <https://www.mooodi.com/bff-sofa>

MATERIAL

Wooden frame, steel springs, foam.

HEIGHT ARMREST

56cm | 22"

SEAT DEPTH

69cm | 27.2"

SEAT HEIGHT

36cm | 14.2"

SEAT WIDTH

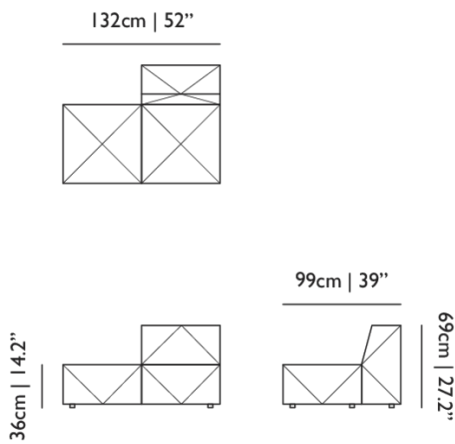
135cm | 53.1"

SEATING CAPACITY

2

BFF Sofa / Double element DE07 Dormeuse

Dimensions



Product

WIDTH 132cm | 52"
HEIGHT 69cm | 27.2"
DEPTH 99cm | 39"

Packaging

WIDTH 105cm | 41.3"
HEIGHT 75cm | 29.5"
CUBAGE 1.1m³ | 38.93ft³
LENGTH 140cm | 55.1"
WEIGHT 47kg | 103.62lbs

Technical

ADDITIONAL

A modular sofa system that will befriend any interior. Design your own BFF Sofa and find out exact measurements with our configurator: <https://www.mooodi.com/bff-sofa>

MATERIAL

Wooden frame, steel springs, foam.

SEAT DEPTH

69cm | 27.2"

SEAT HEIGHT

36cm | 14.2"

SEAT WIDTH

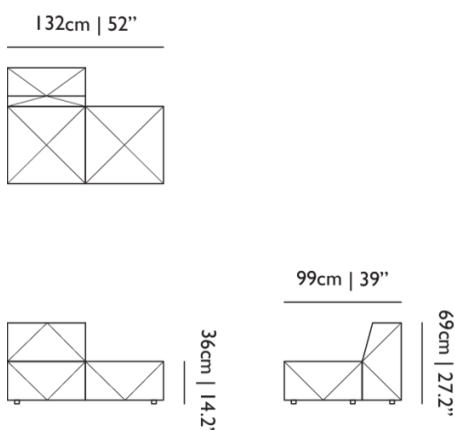
135cm | 53.1"

SEATING CAPACITY

2

BFF Sofa / Double element DE08 Dormeuse

Dimensions



Product

WIDTH 132cm | 52"
HEIGHT 69cm | 27.2"
DEPTH 99cm | 39"

Packaging

WIDTH 105cm | 41.3"
HEIGHT 75cm | 29.5"
CUBAGE 1.1m³ | 38.93ft³
LENGTH 140cm | 55.1"
WEIGHT 47kg | 103.62lbs

Technical

ADDITIONAL

A modular sofa system that will befriend any interior. Design your own BFF Sofa and find out exact measurements with our configurator: <https://www.mooodi.com/bff-sofa>

MATERIAL

Wooden frame, steel springs, foam.

SEAT DEPTH

69cm | 27.2"

SEAT HEIGHT

36cm | 14.2"

SEAT WIDTH

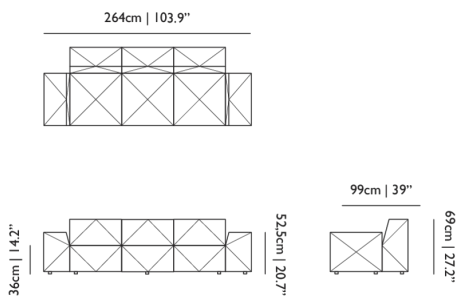
135cm | 53.1"

SEATING CAPACITY

2

BFF Sofa / Triple Seater TE01 Low

Dimensions



Product

WIDTH 264cm | 103.9"

HEIGHT 69cm | 27.2"

DEPTH 99cm | 39"

Packaging

WIDTH 105cm | 41.3"

HEIGHT 75cm | 29.5"

CUBAGE 2.13m³ | 75.09ft³

LENGTH 270cm | 106.3"

WEIGHT 117kg | 257.94lbs

Technical

ADDITIONAL

A modular sofa system that will befriend any interior. Design your own BFF Sofa and find out exact measurements with our configurator: <https://www.mooodi.com/bff-sofa>

MATERIAL

Wooden frame, steel springs, foam.

HEIGHT ARMREST

56cm | 22"

SEAT DEPTH

69cm | 27.2"

SEAT HEIGHT

36cm | 14.2"

SEAT WIDTH

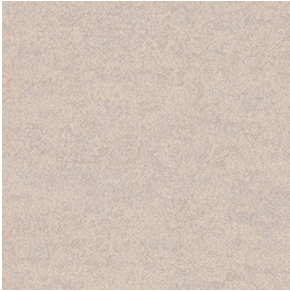
200cm | 78.7"

SEATING CAPACITY

3

Upholstery

ARDA (available in 12 colours)



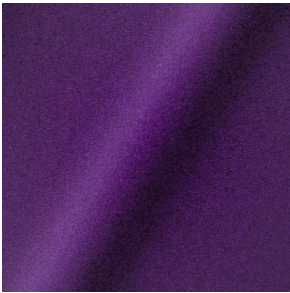
ABRASION

50000 martindale
lightfastness 5 - 6
pilling 4 - 5

FIRE RESISTANCE

BS 5852 - Ignition source
0 (Cigarette)
BS 5852 - Ignition source
5 (Crib 5)
BS 5852 - Ignition source
1 (Match flame equivalent)
EN 1021-1 (Cigarette)
EN 1021-2 (Match)
TB 117-2013
EU Ecolabel

DIVINA 3 (available in 56 colours)



COMPOSITION

100% WO

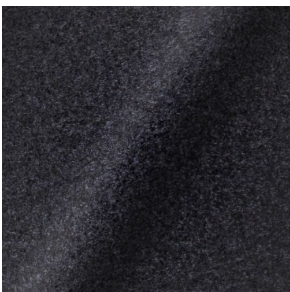
ABRASION

45000 martindale
lightfastness 7
pilling 3

FIRE RESISTANCE

BS 5852 - Ignition source
0 (Cigarette)
BS 5852 - Ignition source
5 (Crib 5)
BS 5852 - Ignition source
1 (Match flame equivalent)
EN 1021-1 (Cigarette)
EN 1021-2 (Match)
TB 117-2013
EU Ecolabel

DIVINA MD (available in 27 colours)



COMPOSITION

100% WO

ABRASION

45000 martindale
lightfastness 6
pilling 3

FIRE RESISTANCE

BS 5852 - Ignition source
0 (Cigarette)
BS 5852 - Ignition source
5 (Crib 5)
BS 5852 - Ignition source
1 (Match flame equivalent)
EN 1021-1 (Cigarette)
EN 1021-2 (Match)
EU Ecolabel

DIVINA MELANGE 3 (available in 49 colours)



COMPOSITION

100% WO

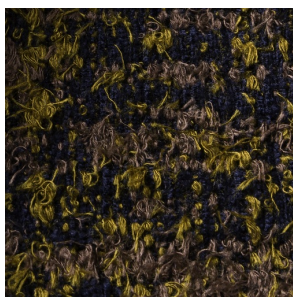
ABRASION

45000 martindale
lightfastness 6 - 7
pilling 3

FIRE RESISTANCE

BS 5852 - Ignition source
0 (Cigarette)
BS 5852 - Ignition source
5 (Crib 5)
BS 5852 - Ignition source
1 (Match flame equivalent)
EN 1021-1 (Cigarette)
EN 1021-2 (Match)
TB 117-2013
EU Ecolabel

Bearded Leopard (available in 3 colours)



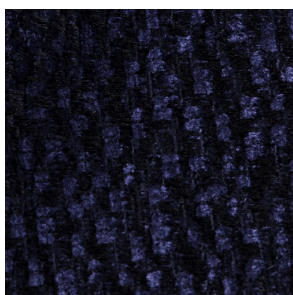
COMPOSITION

77% CV, 15% PES, 7% CO,
1% PA

ABRASION

15000 martindale
lightfastness 4 - 6
pilling 4

Calligraphy Bird (available in 4 colours)



COMPOSITION

64% CV, 21% PES, 15%
CO

ABRASION

50000 martindale
lightfastness 4 - 6
pilling 5

Dodo Pavone (available in 3 colours)



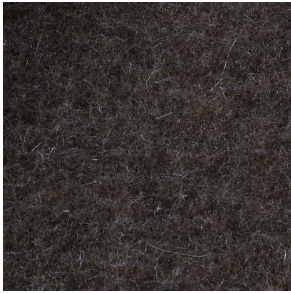
COMPOSITION

12% CO, 88% PES

ABRASION

40000 martindale
lightfastness 5
pilling 4 - 5

Blushing Sloth Melange Mohair (available in 1 colours)



COMPOSITION

85% WV, 15% WM

ABRASION

15000 martindale
lightfastness 4 - 6
pilling 2 - 3

Blushing Sloth Woolly Mohair (available in 1 colours)



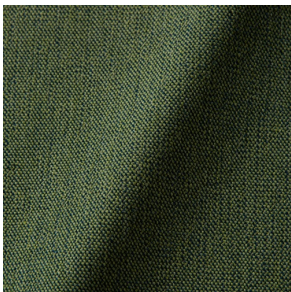
COMPOSITION

24% PES, 15% PA, 8% CO,
24% WM, 29% WV

ABRASION

40000 martindale
lightfastness 4 - 6
pilling 3 - 4

JUSTO (available in 10 colours)



COMPOSITION

15% CO, 35% PC, 10% PA,
40% CV

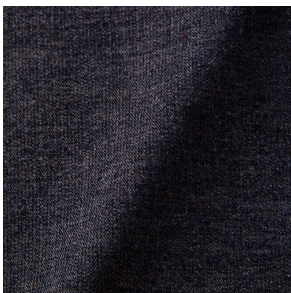
ABRASION

50000 martindale
lightfastness 5
pilling 4

FIRE RESISTANCE

EN 1021-1 (Cigarette)
EN 1021-2 (Match)
TB 117-2013

LISCIO (available in 11 colours)



COMPOSITION

35% WO, 35% CV, 21%
CO, 9% PA

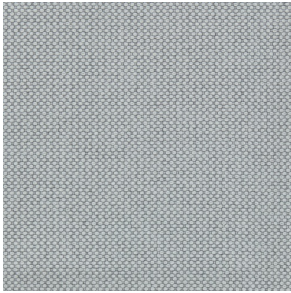
ABRASION

30000 martindale
lightfastness 4 - 6
pilling 4

FIRE RESISTANCE

TB 117-2013

MERIT (available in 43 colours)



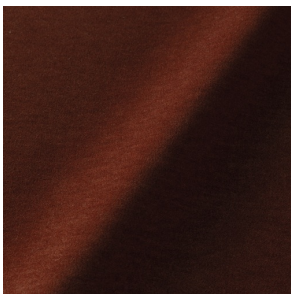
COMPOSITION

24% PES, 76%

ABRASION

85000 martindale
lightfastness 7
pilling 4

PALETTE (available in 24 colours)



COMPOSITION

42% CO, 29% WO, 29%
TL

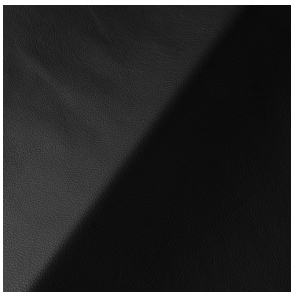
ABRASION

45000 martindale
lightfastness 4 - 5
pilling 3 - 3

FIRE RESISTANCE

BS 5852 - Ignition source
0 (Cigarette)
TB 117-2013
BS 5852 - Ignition source
5 (Crib 5)

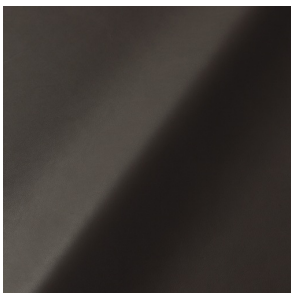
SAVANNE (available in 3 colours)



FIRE RESISTANCE

EN 1021-1 (Cigarette)
EN 1021-2 (Match)
TB 117-2013
OEKO-TEX

SHADE (available in 6 colours)



ABRASION

lightfastness 3 - 4

FIRE RESISTANCE

EN 1021-1 (Cigarette)
EN 1021-2 (Match)
TB 117-2013

SOLIS (available in 9 colours)



COMPOSITION

60% WO, 30% PES, 2%
PA, 3% PC

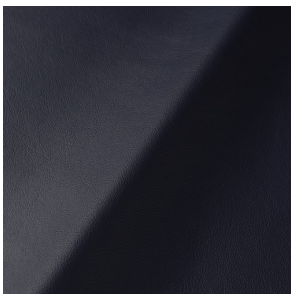
ABRASION

40000 martindale
lightfastness 5
pilling 3 - 4

FIRE RESISTANCE

EN 1021-1 (Cigarette)
EN 1021-2 (Match)
TB 117-2013

SPECTRUM (available in 11 colours)



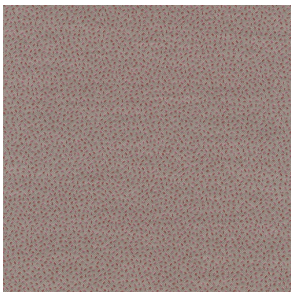
ABRASION

lightfastness 6 - 6

FIRE RESISTANCE

EN 1021-1 (Cigarette)
EN 1021-2 (Match)
TB 117-2013
OEKO-TEX

SPRINKLES (available in 23 colours)



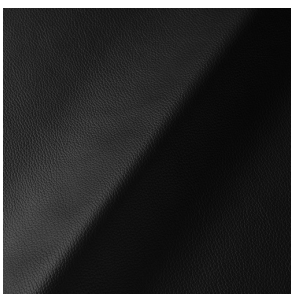
ABRASION

80000 martindale
lightfastness 7
pilling 4

FIRE RESISTANCE

EU Ecolabel
BS 5852 - Ignition source
0 (Cigarette)
BS 5852 - Ignition source
5 (Crib 5)
BS 5852 - Ignition source
1 (Match flame equivalent)
EN 1021-1 (Cigarette)
EN 1021-2 (Match)
TB 117-2013

ULTRA (available in 6 colours)



ABRASION

lightfastness 6 - 7

FIRE RESISTANCE

EN 1021-1 (Cigarette)
EN 1021-2 (Match)
TB 117-2013
ANSI/BIFMA M7.1 (Total
Volatile Organic
Compounds)

VESPER (available in 8 colours)



COMPOSITION

10% CO, 40% LI, 10% PA,
10% PES, 30% CV

ABRASION

40000 martindale
lightfastness 5
pilling 4

FIRE RESISTANCE

EN 1021-1 (Cigarette)
EN 1021-2 (Match)
TB 117-2013