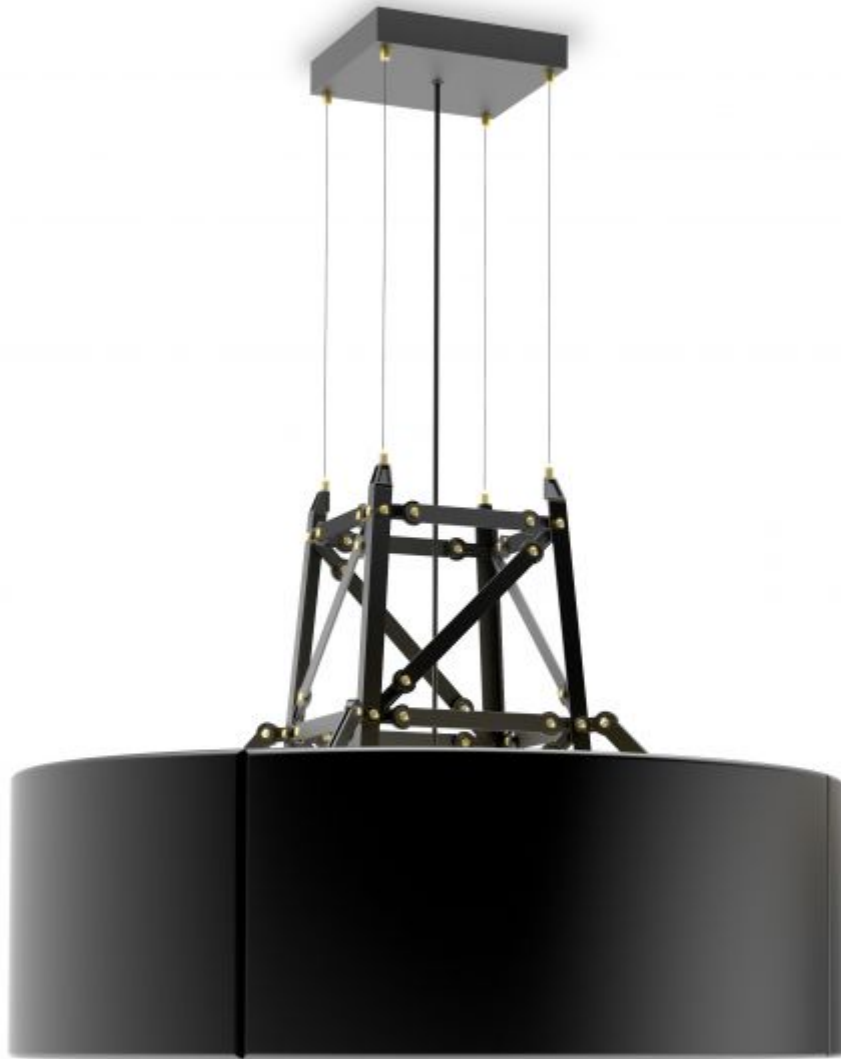


m o o o i[®]



Construction Lamp Suspended L

The industrial design of the Construction Lamp Suspended blends in nicely with its two elegant colour nuances and stylish brass details. Joost van Bleiswijk's signature electricity pole structure connects the lamp's shade to the ceiling, completing its look and feel with a touch of vintage Meccano.

Designer	Joost van Bleiswijk
Year of design	2016
Material	Die cast powdercoated aluminium, wooden version with wood slats.

Construction Suspended L technical (ce)



Material :

Die cast powdercoated aluminium, wooden version with wood slats

Colours:

Matt black & matt white

Netto weight:

24kg

Power consumption:

Max 60w

Input voltage:

110-230V

Dimmable:

Yes

Lampholder:

4 x E27

Cable length:

4 or 10m

Cable colour:

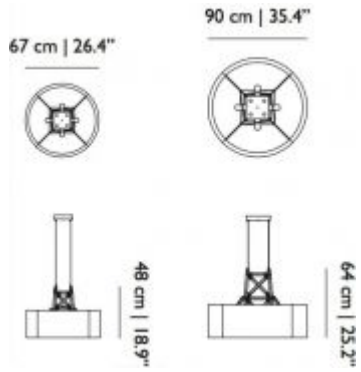
Black

Canopy:

Black or white

m o o o i[®]

dimensions



packaging

H 89 cm | 35"
W 104 cm | 40.9"
D 104 cm | 40.9"

Colli 1/1

Product weight:

22 KG | 48,5 lb

With packaging:

23 KG | 50,7 lb