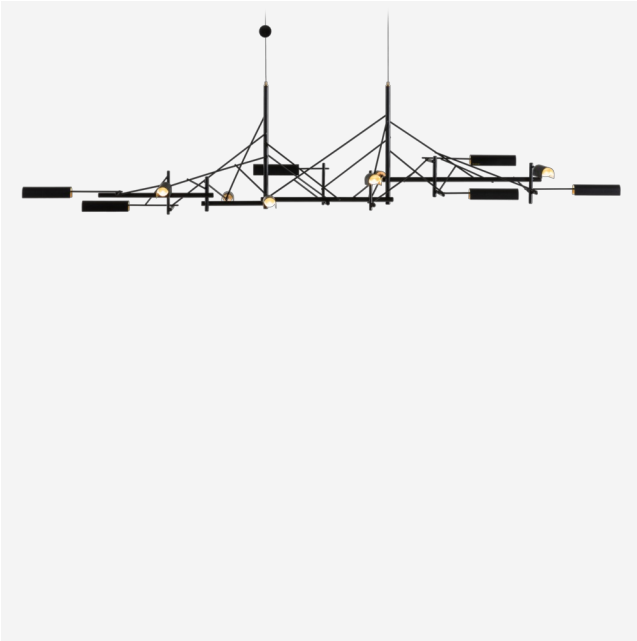


Tinkering

JOOST VAN BLEISWIJK | POWERED THROUGH ELECTROSANDWICH® BY MARCEL WANDERS



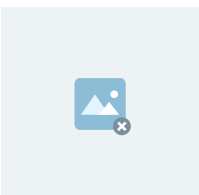
Tinkering, designed by Joost van Bleiswijk, captivates its spectators through a rhythmic composition that is made from black coated stainless steel and brass. This suspension lamp is available in two sizes, Tinkering 85 and Tinkering 140, which feature 7 and 12 LED light sources, respectively. The light caps are individually adjustable and make this lamp suitable to be installed above a table or a desk. Tinkering is powered through Electrosandwich® technology by Marcel Wanders.

Detailing



Powered through Electrosandwich® technology and made from coated stainless steel and brass, Tinkering creates a modern feel with a detailed touch.

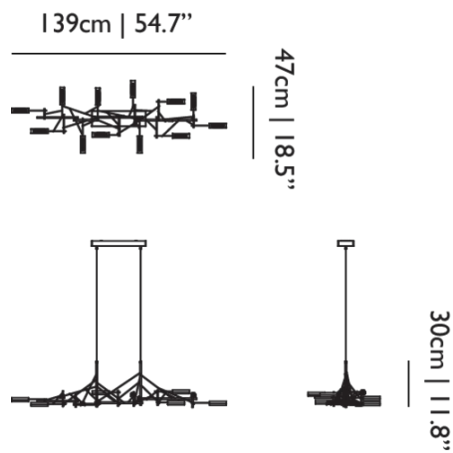
Colours



Black

Tinkering / 140

Dimensions



Product

WIDTH 139cm | 54.7"
HEIGHT 30cm | 11.8"
DEPTH 47cm | 18.5"
WEIGHT NETTO 2.7kg | 5.95lbs

Packaging

WIDTH 59cm | 23.2"
HEIGHT 42cm | 16.5"
CUBAGE 0.37m³ | 13.21ft³
LENGTH 151cm | 59.4"
WEIGHT 9kg | 19.84lbs

Technical CCC

MATERIAL

Metal frame, brass shades and polycarbonate diffusers

ENERGY LABEL

B

LIGHTSOURCE TYPE

LED

NUMBER OF LIGHTSOURCES

12

INPUT VOLTAGE

220-240V

MAX POWER CONSUMPTION

21W

LIFETIME

50000 hours

CABLE LENGTH

250cm | 98.4"

COLOUR TEMPERATURE

2700 K

LIGHT DIRECTION

All directions

EEI

0.35

INSTALLATION REQUIRED

Yes

LIGHTSOURCE INCLUDED

Yes

SHAPE

Linear

FREQUENCY

50/60

LAMPHOLDER

LED (Solid state)

CABLE COLOUR

Black

CANOPY

Matching metal rectangle

CRI

93

LIGHT OUTPUT

742 lm

EFFICIENCY

35.33 lm/W

MEASURED POWER CONSUMPTION

20.5W

DIMMING & LIGHTING CONTROL

Mains, Trailing edge, Reverse phase

*See last page for more information about the dimming possibilities.**Technical CE***MATERIAL**

Metal frame, brass shades and polycarbonate diffusers

ENERGY LABEL

B

INSTALLATION REQUIRED

Yes

LIGHTSOURCE TYPE

LED

LIGHTSOURCE INCLUDED

Yes

NUMBER OF LIGHTSOURCES

12

SHAPE

Linear

INPUT VOLTAGE

220-240V

FREQUENCY

50/60

MAX POWER CONSUMPTION

21W

LAMPHOLDER

LED (Solid state)

LIFETIME

50000 hours

CABLE COLOUR

Black

CABLE LENGTH

250cm | 98.4"

CANOPY

Matching metal rectangle

COLOUR TEMPERATURE

2700 K

CRI

93

LIGHT DIRECTION

All directions

LIGHT OUTPUT

742 lm

EEI

0.35

EFFICIENCY

35.33 lm/W

MEASURED POWER CONSUMPTION

20.5W

DIMMING & LIGHTING CONTROL

Mains, Trailing edge, Reverse phase

See last page for more information about the dimming possibilities.*Technical UL***MATERIAL**

Metal frame, brass shades and polycarbonate diffusers

ENERGY LABEL

B

INSTALLATION REQUIRED

Yes

LIGHTSOURCE TYPE

LED

NUMBER OF LIGHTSOURCES

12

INPUT VOLTAGE

110-130V

MAX POWER CONSUMPTION

21W

LIFETIME

50000 hours

CABLE LENGTH

250cm | 98.4"

COLOUR TEMPERATURE

2700 K

LIGHT DIRECTION

All directions

EEI

0.35

DIMMING & LIGHTING CONTROL

Mains, Trailing edge, Reverse phase

See last page for more information about the dimming possibilities.**LIGHTSOURCE INCLUDED**

Yes

SHAPE

Linear

FREQUENCY

50/60

LAMPHOLDER

LED (Solid state)

CABLE COLOUR

Black

CANOPY

Matching metal rectangle

CRI

93

LIGHT OUTPUT

742 lm

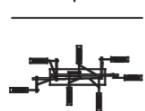
EFFICIENCY

35.33 lm/W

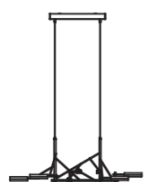
Tinkering / 85

Dimensions

83cm | 32.7"



41cm | 16.1"



29cm | 11.4"

Product

WIDTH 83cm | 32.7"**HEIGHT** 29cm | 11.4"**DEPTH** 41cm | 16.1"**WEIGHT NETTO** 1.6kg | 3.53lbs

Packaging

WIDTH 51cm | 20.1"**HEIGHT** 42cm | 16.5"**CUBAGE** 0.2m³ | 7.11ft³**LENGTH** 94cm | 37"**WEIGHT** 6kg | 13.23lbs

Technical CCC

MATERIAL

Metal frame, brass shades and polycarbonate diffusers

ENERGY LABEL

B

LIGHTSOURCE TYPE

LED

NUMBER OF LIGHTSOURCES

7

INPUT VOLTAGE

220-240V

MAX POWER CONSUMPTION

12W

LIFETIME

50000 hours

CABLE LENGTH

250cm | 98.4"

COLOUR TEMPERATURE

2700 K

LIGHT DIRECTION

All directions

EEI

0.31

DIMMING & LIGHTING CONTROL

Mains, Trailing edge, Reverse phase

See last page for more information about the dimming possibilities.

INSTALLATION REQUIRED

Yes

LIGHTSOURCE INCLUDED

Yes

SHAPE

Linear

FREQUENCY

50/60

LAMPHOLDER

LED (Solid state)

CABLE COLOUR

Black

CANOPY

Matching metal rectangle

CRI

93

LIGHT OUTPUT

420 lm

EFFICIENCY

35 lm/W

*Technical CE***MATERIAL**

Metal frame, brass shades and polycarbonate diffusers

ENERGY LABEL

B

LIGHTSOURCE TYPE

LED

NUMBER OF LIGHTSOURCES

7

INPUT VOLTAGE

220-240V

INSTALLATION REQUIRED

Yes

LIGHTSOURCE INCLUDED

Yes

SHAPE

Linear

FREQUENCY

50/60

MAX POWER CONSUMPTION

12W

LIFETIME

50000 hours

CABLE LENGTH

250cm | 98.4"

COLOUR TEMPERATURE

2700 K

LIGHT DIRECTION

All directions

EEI

0.31

DIMMING & LIGHTING CONTROL

Mains, Trailing edge, Reverse phase

See last page for more information about the dimming possibilities.**LAMPHOLDER**

LED (Solid state)

CABLE COLOUR

Black

CANOPY

Matching metal rectangle

CRI

93

LIGHT OUTPUT

420 lm

EFFICIENCY

35 lm/W

*Technical UL***MATERIAL**

Metal frame, brass shades and polycarbonate diffusers

ENERGY LABEL

B

INSTALLATION REQUIRED

Yes

LIGHTSOURCE TYPE

LED

LIGHTSOURCE INCLUDED

Yes

NUMBER OF LIGHTSOURCES

7

SHAPE

Linear

INPUT VOLTAGE

110-130V

FREQUENCY

50/60

MAX POWER CONSUMPTION

12W

LAMPHOLDER

LED (Solid state)

LIFETIME

50000 hours

CABLE COLOUR

Black

CABLE LENGTH

250cm | 98.4"

CANOPY

Matching metal rectangle

COLOUR TEMPERATURE

2700 K

CRI

93

LIGHT DIRECTION

All directions

LIGHT OUTPUT

420 lm

EEI
0.31

MEASURED POWER CONSUMPTION
12.5W

EFFICIENCY
35 lm/W

DIMMING & LIGHTING CONTROL
Mains, Trailing edge, Reverse phase

See last page for more information about the dimming possibilities.



Dimming & Lighting Control

Mains, Trailing edge, Reverse phase

The luminaire is dimmable by using an external Electronic Low Voltage dimmer. The dimmer is usually mounted on an existing wall socket and there is no need to change your home's wiring. On the dimmer it should show that it is a LED dimmer, suitable for 5 Watts or lower and C-type capable. Dimming is less fluent and can come with some flicker, a beep or a buzz.

Compatible models: 140 CE, 140 UL, 85 CE, 85 UL
